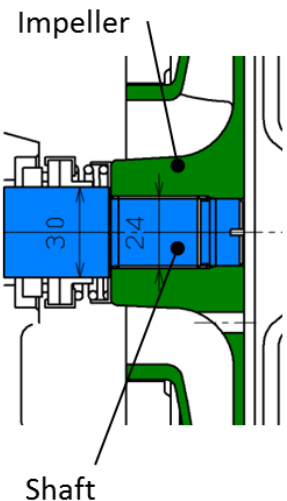
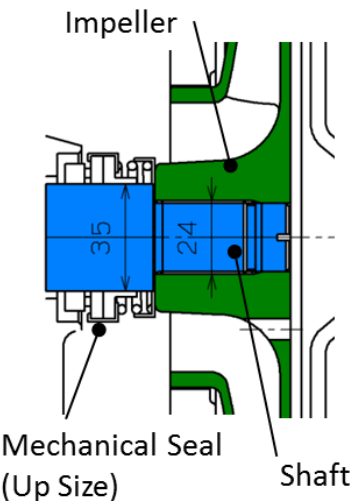


# YANMAR SERVICE NEWS

Subject	Design Change of Cooling Water Pump	No.: 14-2-G-01-017-M Jan. 30, 2015	
Engine Models	6EY18(A)L(W)	Use	Marine Main & Aux.; Industrial
	6/8N21(A)(L)	Engine Nos.	—

In order to enable interchangeability of the cooling water pumps with other engine models, we have undergone the design change of the cooling water pump for use with the 6EY18 and N21 series engines. The outline of the design change is as follows:

	Conventional	New Standard
Shaft Dia.	30mm	35mm
Screw Size	M24 × P1.5	M24 × P1.5
Material of Impeller	FC	FCD
Tightening Torque	320Nm	430Nm
Structure		

Timing of the change for the production units is as follows:

Engine Model	Change Introduced from:	Engine Nos.
6EY18(A)L(W)	From the engines assembled in Dec. 2014	6360 & thereafter
6N21(A)L(W)	From the engines assembled in Apr. 2015	7848 & thereafter
8N21(A)L(W)	*Production discontinued in 2013	—

<b>YANMAR CO.,LTD.</b> LARGE POWER PRODUCTS OPERATIONS BUSINESS. QUALITY ASSURANCE DIVISION.	Approved	Checked	Prepared
			

Changes of parts codes are as follows:

< **6EY18(A)L(W)** >

Part Name	Conventional Items	New Standard Items	Interchangeability
Cooling Water Pump Assembly	746623-42251	746623-42300	○
	746623-42261	746623-42310	
Impeller	146623-42260	146623-42320	×
Shaft	146623-42250	146623-42180	
Mechanical Seal	148620-42330	146623-42510	

< **6/8N21(A)L** >

Part Name	Conventional Items	New Standard Items	Interchangeability
Cooling Water Pump Assembly	747673-42032	747673-42300	○
	747673-42013	747673-42310	
Impeller (190	147674-42800	147673-42320	×
Impeller (205 →200	147674-42220	146623-42320	
Shaft	146673-42210	146623-42180	
Mechanical Seal	148620-42330	146623-42510	

Although the conventional and new standard CW pumps are interchangeable as an assembly unit, their internal components are not interchangeable. We plan to stop the supply of the conventional CW pump and their internal parts in near future.

In this relation, we recommend that you would replace the cooling water pump with new standard item as an assembly unit.

Jan.30,2015

TO ALL YANMAR GROUP COMPANY

Service parts Support Div  
Parts Division  
Global Customer Service Unit

About The limited price setting (New standard parts)

By Yanmar Service News (14-2-G-01-017-M) from Amagasaki factory.  
We decided to supply New standard pump parts with a limited price.

We supply those parts with a limited price Only feb.1<sup>st</sup> 2015 to Dec.31 2019.  
From 2020 We will set new price.

MODEL	PARTS No	SEGMENT	PRICE (JPY)
6EY18AL(W)	746623-42300-C	STD PRICE	529,100
		LTD PRICE	266,600
	746623-42310-C	STD PRICE	529,100
		LTD PRICE	266,600
6/8N21(A)(L)	747673-42300-C	STD PRICE	570,100
		LTD PRICE	287,100
	747673-42310-C	STD PRICE	570,100
		LTD PRICE	287,100

Thank you